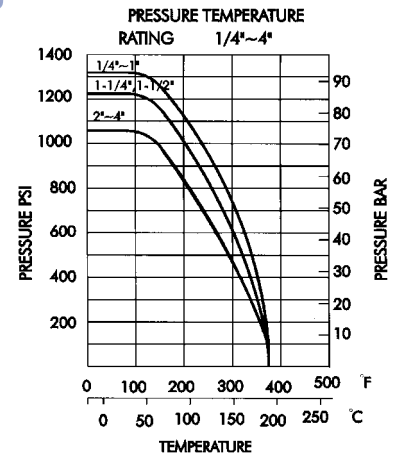
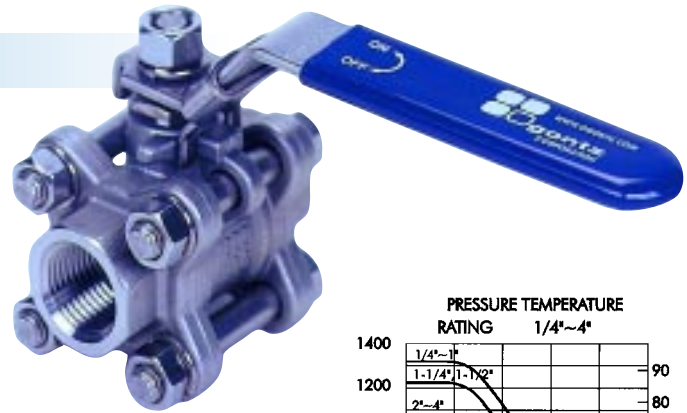


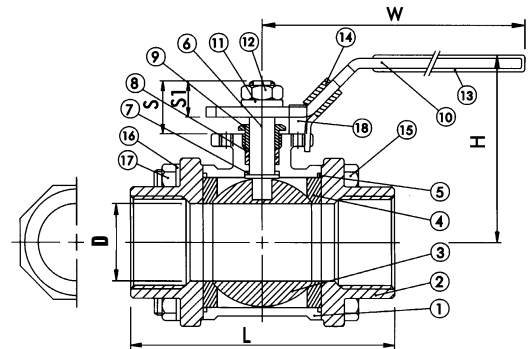
FEATURES

- Pipe thread in accordance with ANSI B2.1, BS 21 1973, DIN 259/2999
- Locking device, lug body.
 - Blow-out proof stem/Full port
 - Investment casting body and cap
 - 1000 PSI (69 BAR) W.O.G./1500 PSI (103 BAR) W.O.G.
 - Material: ASTM-A351-CF8M, ASTM-A351-CF8 & ASTM-A216-WCB



SPECIFICATIONS AND INFORMATION

ITEM	PARTS	QUANTITY	MATERIALS	
			V3M	V3M-C
1	BODY	1	ASTM-A351-CF8M	ASTM-A216-WCB
2	CAP	2	ASTM-A351-CF8M	ASTM-A216-WCB
3	BALL	1	ASTM-A351-CF8M	ASTM-A351-CF8M
4	BALL SEAT	2	15% R-PTFE	15% R-PTFE
5	JOINT GASKET	2	15% R-PTFE	15% R-PTFE
6	STEM	1	AISI 316	AISI 316
7	THRUST WASHER	1	PTFE	PTFE
8	STEM PACKING	2	PTFE	PTFE
9	GLAND NUT	1	AISI 304	AISI 304
10	HANDLE	1	AISI 304	AISI 304
11	STEM WASHER	1	AISI 304	AISI 304
12	STEM NUT	1	AISI 304	AISI 304
13	PLASTIC COVER	1	PLASTIC	PLASTIC
14	LOCK DEVICE	1	AISI 304	AISI 304
15	BOLT	4(4"X6"SET)	AISI 304	AISI 304
16	SPRING WASHER	4(4"X6"SET)	AISI 304	AISI 304
17	HEX NUT	4(4"X6"SET)	AISI 304	AISI 304
18	STOP PIN	1	AISI 304	AISI 304



NOMINAL SIZE	D	L	H	W	S	S1	X	BL	Cv Factor	Weight	Ogontz P/N
1/4"	.5"	2.6"	2"	4.1"	.7"	.4"	.2"	5/16"	6.6	0.97lbs.	OBV-SS-0025
3/8"	.5"	2.6"	2"	4.1"	.7"	.4"	.2"	5/16"	7.9	0.95lbs.	OBV-SS-0375
1/2"	.6"	2.6"	2.2"	5"	.8"	.5"	.3"	3/8"	11.2	1.47lbs.	OBV-SS-0050
3/4"	.8"	3.2"	2.3"	5"	.8"	.5"	.3"	3/8"	21	1.94lbs.	OBV-SS-0075
1"	1"	3.7"	3"	6.3"	1"	.6"	.3"	7/16"	35	2.77lbs.	OBV-SS-0100

All dimensions are approximate.

THE OGONTZ GUARANTEE

We will repair or replace on a no-charge basis, F.O.B. Willow Grove, PA, units returned to us within 18 months if found to be defective in material or workmanship.



Ogontz has a policy of continuous product research and improvement, and reserves the right to change design and specifications without notice.

2835 Terwood Road • Willow Grove, PA 19090
 TEL: 215.657.4770 • 1-800-523-2478 • FAX: 215.657.0460
 E-mail: info@ogontz.com • Website: www.ogontz.com